

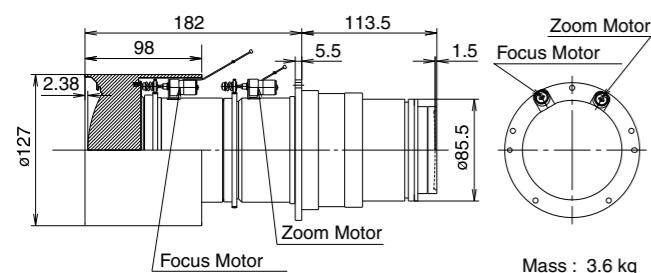
Safety Precautions

This product has been engineered and manufactured to assure your personal safety. But **IMPROPER USE CAN RESULT IN POTENTIAL ELECTRICAL SHOCK OR FIRE HAZARD.** In order not to defeat the safeguards incorporated into this product, observe the following basic rules for its installation, use and service. Please read carefully before use.

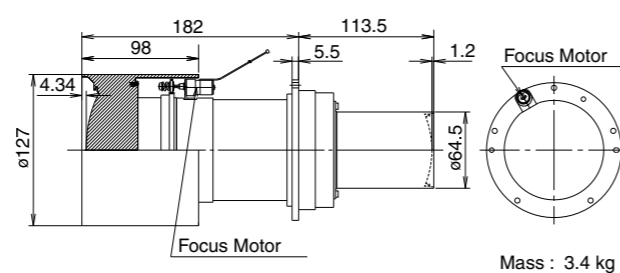
- To install the lens, special expertise and skills are necessary. Be sure to ask our authorized dealer (or a technician) to install the lens. Installation by personnel without the necessary expertise and skills may result in injuries or electric shock.
- Do not look into the projection lens while the illumination lamp is turned on. Exposure of your eyes to the strong light can result in impaired eyesight. Pay particular attention to keep out of reach of children.
- Do not modify the lens. Modifying the lens may cause fire or electric shock.
- Connect the power cord only after all necessary equipment has been connected. Connecting the equipment with the power cord plugged into the outlet may cause electric shock.

Dimensional Outline Drawing

Zoom Lens



Short Focal Length Lens



JVC

JVC

INSTRUCTION MANUAL

D-ILA® DLA-SH4KNL Projector Lens

GL-MS4015SZG Zoom Lens

GL-MS4011SG Short Focal Length Lens

- Thank you for purchasing this product. Before using, please read through the "Instruction Manual" to ensure proper use of this product. In particular, read through the "Safety Precautions" to ensure safe use of this product. After you have read through the manual, please store it carefully and use it as reference whenever necessary.
- The manufacturing number is important for quality control purposes. During purchase, check to ensure that the manufacturing number is correctly indicated at the side of the main unit.

- Precautions Regarding this Manual
 - (1) Unauthorized reproduction of this manual without permission is strictly prohibited.
 - (2) Specifications and appearance of this product may be subject to change for improvement without prior notice.
 - (3) Please note that some of the pictures and illustrations may have been abridged, enlarged or contextualized in order to aid comprehension. Images may differ from the actual product.

Accessories

- Lens unit 1 set
- Screw 5 pieces
- Lens cap 2 pieces
 - Attached to the lens unit.
- Instruction Manual 1 copy
- Warranty Card 1 copy

Maintenance Procedures

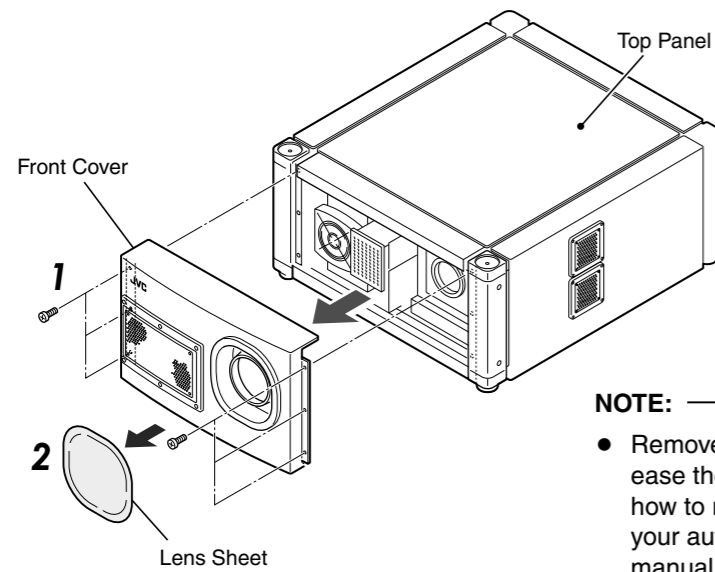
Remove dirt from the lens using commercial blowers or lens cleaning papers (for cleaning glasses and cameras). Do not use fluid-type cleaning agents. This may lead to peeling of the surface coating film. The lens surface is fragile. Avoid rubbing it hard or knocking it.

Mounting the Lens

CAUTION: Before attaching the lens, check to make sure that the power of the projector is not turned on and the power cord is not connected. Failure to do so may cause electric shock or injuries.

1 Unscrew the 6 screws using a Phillips screwdriver to remove the front cover

2 Remove the lens sheet attached to the lens mount at the front cover

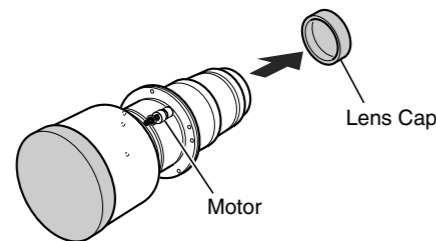


NOTE:

- Remove the top panel if possible to ease the mounting process. For details on how to remove the top panel, please consult your authorized dealer or refer to the service manual.

3 Remove the lens cap of the end to be inserted into the projector

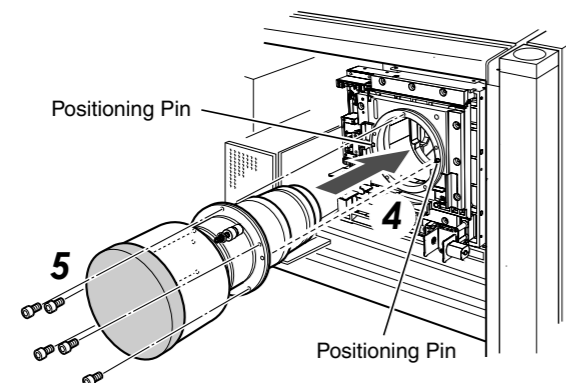
- When removing the lens cap, pull out without turning it.
- Do not scratch or knock the lens surface.



4 Insert lens into the mounting hole

- Insert the lens with the motor facing upward.
- Align the positioning pin of the projector (1 each on left and right sides) with the positioning pin of the lens.

5 Tighten the 5 screws using the hexagonal wrench with a diagonal size of 3 mm (Bondhus type recommended) to fasten the lens



6 Connect the motor cable

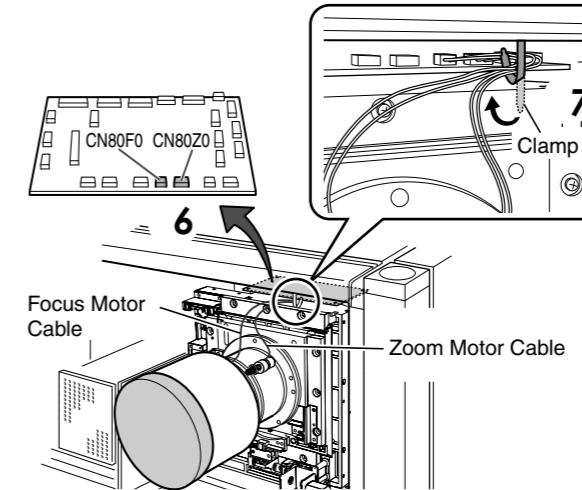
■ When a zoom lens is used

- Connect the zoom motor cable (3 pin) to "CN80Z0", and the focus motor cable (2 pin) to "CN80F0".

■ When a short focal length lens is used

- Connect the focus motor cable (2 pin) to "CN80F0".

7 Clamp the motor cable

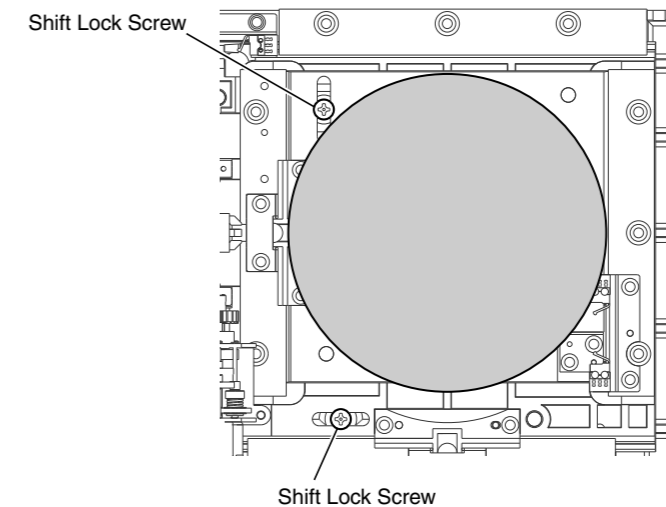


CAUTION:

- Keep the cable away from the motor gear when clamping the motor cable.

8 Unscrew the 2 shift lock screw

- Retain these shift lock screws for future use during transportation.



9 Attach the front cover, and fasten using the 6 screws using a Phillips screwdriver

- Remove the lens cap before projection.

